

# Recyclable ROBOPAK

300/600/950



Introducing the NEW earth-friendly packaging system from Hobart Brothers. Designed to save you time and money, while increasing your bottom line. Here is a list of the many advantages the new Recyclable ROBOPAK offers:



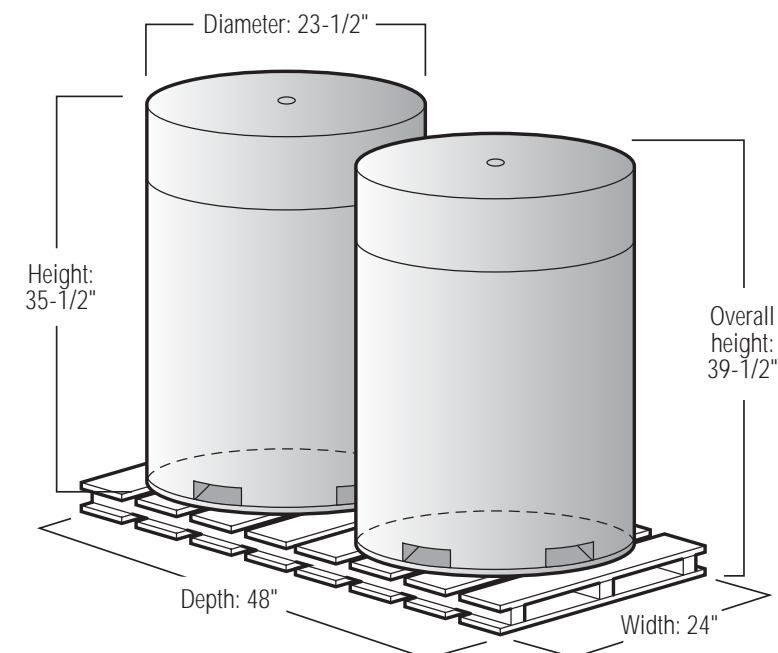
Patent Pending

- Totally recyclable, helps reduce your disposal costs
- Nothing to separate, saves labor cost, fully recyclable with all other cardboard products
- No staples or straps to remove
- No wooden pallet permanently attached
- No metal chime ring
- All fiberboard drum eliminates the need for landfill disposal and associated expenses
- Built-in fork lift slots for ease of handling
- Same dimensions as a standard 23" diameter 1000 lb. drum
- No payoff cone required, connectors and conduit attach directly to lid
- No special accessories required to feed wire or move the container
- Assists in meeting ISO 14000 environmental conformance standards
- Straight, flip-free, tangle-free wire for robotic and automatic applications

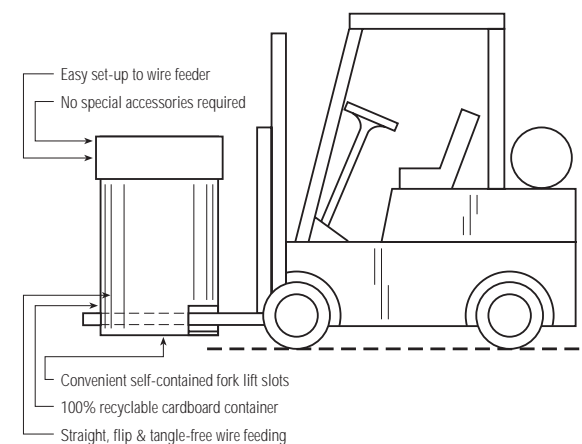
## Packaging Information

RECYCLABLE ROBOPAK 300/600/950

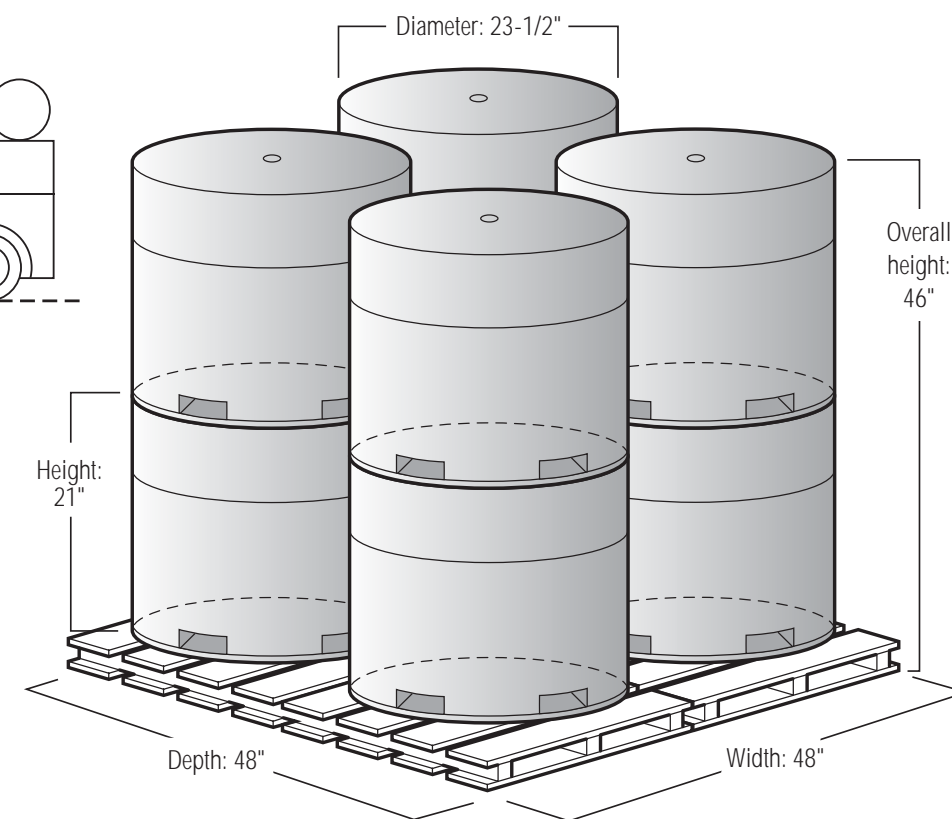
- Tangle-free feeding, no flip wire
- Compact drum to reduce floor-space requirements
- ROBOPAK protects wire from manufacturing environment (dust, spatter, oil, etc.)
- Can be located away from the weld station for convenient change-over
- No payoff cone required, connectors and conduit attach directly to lid
- Available in:  BR  QCL



950 Weight: 1900 lbs.  
600 Weight: 1200 lbs.



Hobart Welding Products, Troy, OH 45373 USA  
Phone 888.462.2789 Fax 800.541.6607



300 Weight: 2400